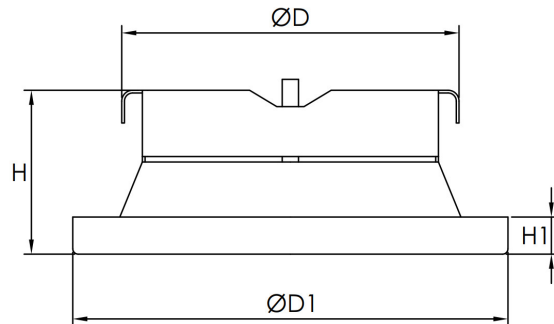


## Metal exhaust diffuser DMK



### Description

Metal diffuser for exhaust ventilation with low noise levels and new sleek design.

### Technical data

Construction Made from polymer coated steel, adjustable air flow, clip fixing, gasket for better airtightness.  
Installation Wall or ceiling mounting with all types of circular ducts.  
Colors White RAL9016.

### Dimensions

Type	ØD [mm]	ØD1 [mm]	H [mm]	H1 [mm]	m [kg]
DMK80	79	107	60	15	0,15
DMK100	99	135	60	15	0,21
DMK125	124	160	60	15	0,27
DMK160	159	195	64	15	0,39
DMK200	199	230	68	15	0,50

## Technical specifications

